

Seth Bimal Prasad Jain Educational Trust



Foundation for Life

PHONICS

Group of Institutions, Roorkee

Registration form

INSTRUCTION FOR COMPLETING THE APPLICATION FORM

A. GENERAL INSTRUCTIONS

- (1) Students are advised to retain confirmation slip, as proof of submission of registration application with the college.
- (2) Application Form has to be filled by the candidate with his/her own handwriting only in English.
- (3) Overwriting, striking out or erasing of any kind are not allowed in the Application Form.
- (4) Incomplete information or discrepancies if any in the information furnished in the application will lead to rejection/cancellation of registration.
- (5) Boxes are provide for writing alphabets and numbers. Please use capital letters in all places except for the signature. Please write one alphabet/number in a Box.
- (6) A recent passport size photograph must be neatly pasted in the space provided. The photograph should not be pinned or stapled at the end of the application.
- (7) After ensuring that all the information required by the college has been furnished, the applicant should also sign in the space provided at the end of the application.
- (8) The application is liable to be rejected if the candidate's signature in the application do not match with signature in declaration section.
- (9) Non-refundable application fee is Rs. 800/-

B. OTHER INSTRUCTIONS

- (1) Write your name in capital letters as it appears on your birth certificate/X standard marks card.
(a) In case of name variation in X, XII mark cards etc., Enclose an affidavit duly notarized in support of your correct name.
- (2) Write your father's name in capital letter.
- (3) Write your date of birth as per the Gregorian (English) calendar.
- (4) Write 'M' for Male and 'F' for Female.
- (5) Fill your complete postal address for correspondence.
- (6) Provide details of the qualification as indicated in the table. Supporting documents for the qualification must be provided along with the application. Enclosed English translation copy against all documents in a language other than English duly attested by a Gazetted Officer/Notary public.

C. SUPPORTING DOCUMENTS

Attested photocopies of documents establishing the eligibility of candidate must be furnished along with the application form. The copies must be attested by any of the following :-

Head of the Department/Professor of Government University

Notary Public

Gazetted Officer

Course to be opted :-

Select Course:

Fill Preferences

Options to Choose:

B.Tech

<input type="checkbox"/>	<input type="checkbox"/>
<input type="checkbox"/>	<input type="checkbox"/>
<input type="checkbox"/>	<input type="checkbox"/>
<input type="checkbox"/>	<input type="checkbox"/>
<input type="checkbox"/>	<input type="checkbox"/>

01 : Computer Science & Engineering

02 : Mechanical Engineering

03 : Civil Engineering

04 : Electronics & Communication Engineering

05 : Electrical & Electronics Engineering

B.Tech
(Lateral Entry)

Select Course:

Fill Preferences

Options to Choose:

Polytechnic

<input type="checkbox"/>	<input type="checkbox"/>
<input type="checkbox"/>	<input type="checkbox"/>
<input type="checkbox"/>	<input type="checkbox"/>

01 : Mechanical Engineering

02 : Civil Engineering

03 : Electrical Engineering

Polytechnic
(Lateral Entry)

Fill Preferences

Options to Choose:

B.Sc.

<input type="checkbox"/>	<input type="checkbox"/>
<input type="checkbox"/>	<input type="checkbox"/>
<input type="checkbox"/>	<input type="checkbox"/>
<input type="checkbox"/>	<input type="checkbox"/>
<input type="checkbox"/>	<input type="checkbox"/>

01 : B.Sc. (IT)

02 : B.Sc. (CS)

03 : B.Sc. (Agriculture)

04 : B.Sc. (PCM)

05 : B.Sc.(CBZ)

MBA PGDM BBA BCA B.Com B.Ed

Details of Competitive examination (Fill which ever is applicable) :-

AIEEE (All India Rank) MAT (Score) UKSEE Rank B.Ed Entrance
AIEEE (State Rank) CAT (Score) JEEP Rank Any Other
(Please Specify)

Details of Hostel & Bus requirement :

Hostel Required Yes No Bus Required Yes No

Stopages: Saharanpur Roorkee Muzzaffar Nagar Haridwar Any Other

if Any other specify Location : _____

DECLARATION BY THE APPLICANT

I acknowledge to have fully read the prospectus and certify that I have understood all the provisions indicated therein. I hereby certify that all the particulars stated by me in this application are true to the best of my knowledge and belief. I understand that my admission is liable to be cancelled if I suppress or distort any information furnished in my application. I certify that I am qualified for the program as indicated in the Prospectus and will produce the original certificate (s) when asked for.

I understand that the college has the right to add/delete/change the rules and regulations as and when required. I understand that the registration FEES once paid will NOT be refunded.

Place :

Date :

Signature of the parent / guardian

Signature of the candidate



CHECK LIST FOR APPLICATION FORM NO.

Original Documents are required for Registration / Admission as per Uttarakhand Technical University, Dehradun

- | | | |
|---|------------------------------|-----------------------------|
| ● Proof of Age (High School/Marksheet) | Yes <input type="checkbox"/> | No <input type="checkbox"/> |
| ● Matriculation (High School) Certificate | Yes <input type="checkbox"/> | No <input type="checkbox"/> |
| ● Intermediate Marksheet | Yes <input type="checkbox"/> | No <input type="checkbox"/> |
| ● Intermediate Certificate | Yes <input type="checkbox"/> | No <input type="checkbox"/> |
| ● Graduation Mark sheet (All Years) | Yes <input type="checkbox"/> | No <input type="checkbox"/> |
| ● Transfer Certificate | Yes <input type="checkbox"/> | No <input type="checkbox"/> |
| ● Migration Certificate | Yes <input type="checkbox"/> | No <input type="checkbox"/> |
| ● Proof of Caste Certificate | Yes <input type="checkbox"/> | No <input type="checkbox"/> |
| ● MAT or Equivalent Score Card | Yes <input type="checkbox"/> | No <input type="checkbox"/> |
| ● AIEEE Score Card | Yes <input type="checkbox"/> | No <input type="checkbox"/> |
| ● Diploma Certificate | Yes <input type="checkbox"/> | No <input type="checkbox"/> |
| ● Character Certificate | Yes <input type="checkbox"/> | No <input type="checkbox"/> |
| ● Domicile Certificate | Yes <input type="checkbox"/> | No <input type="checkbox"/> |
| ● Income Certificate | Yes <input type="checkbox"/> | No <input type="checkbox"/> |

Name of the Candidate :

Signature with date

FOR OFFICE USE

Signature

▶ **Accounts Section**

▶ **Document Section**

▶ **Biometric Section**

▶ **Scholarship Section**

▶ **Bank Section**

CONFIRMATION SLIP

RECEIPT OF APPLICATION FOR SESSION 20__ - 20__ ADMISSION

Application No. : _____

Name : _____

Programme : _____

DD Number : _____

Record Number : _____

Date of Payment : _____

Amount : _____

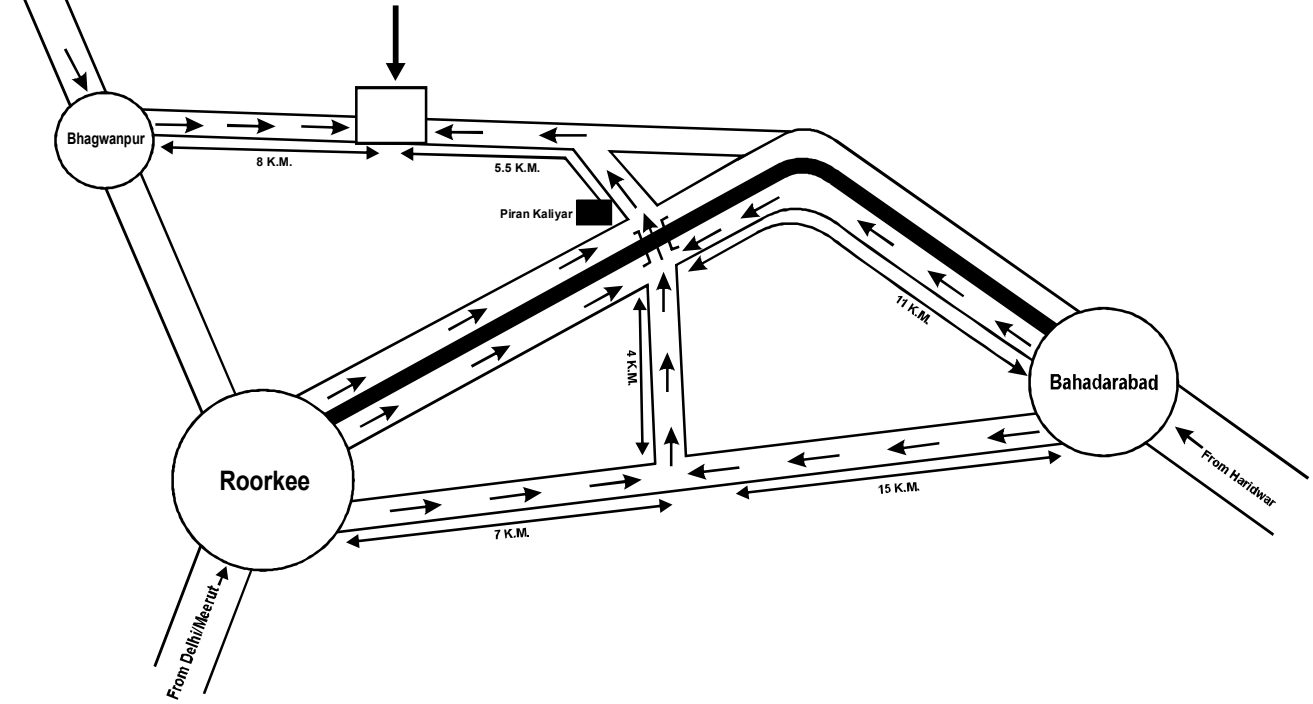
Date :

Signature with Seal

PHONICS

Group of Institutions, Roorkee

College Address :
SETH BIMAL PRASAD JAIN EDUCATIONAL TRUST GROUP OF INSTITUTIONS
Imli Khera, Dharampur, 12th Mile Stone,
Bhagwanpur-Haridwar Highway,
Roorkee, Distt. Haridwar - 247667 (U.K.)



Contact Details

Campus : Imli Khera, Dharampur, 12th Mile Stone,
Bhagwanpur-Haridwar Highway,
Roorkee, Distt. Haridwar - 247667 (U.K.)

Tel. : +91-1332-287517, 287520

Telefax : +91-1332-287501, 287505

Mobile : +91-9756143333, 9756203333

e-mail : info@phonicsedu.com

Website : www.phonicsedu.com

Head Office : 73, New Haridwar Road, Roorkee
Distt-Haridwar (U.K.)



Foundation for Life

PHONICS

Group of Institutions, Roorkee